

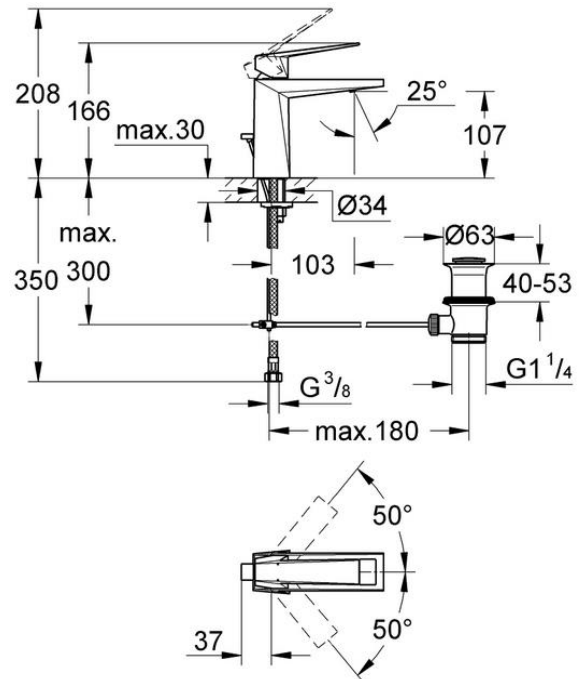


PROJECT		REF		REV	ITEM CODE	
LOCATION		DATE			PAGE	

SANITARY WARE SPECIFICATION SHEET

Item Descriptions	GROHE (Germany) "Allure Brilliant" Single-lever chrome plated basin mixer 1/2" M-Size
Dimensions	L103 x H208 mm
Model	23029000
Finish	Chrome Plated
Country of origin	Germany
Manufacturer	GROHE Limited
Supplier	Acme Sanitary Ware Co. Ltd Mr. Eric Wong/ Mr. Don Yuen
Contact Tel/Fax	(852) 2388-7171 / (852) 2710-8012
E-mail	acme@acmesanitary.com.hk
Website	www.acmesanitary.com.hk

Illustration/ Drawing



"Allure Brilliant"
Basin mixer 1/2" M-Size



- monobloc installation
- 28 mm ceramic cartridge with **GROHE SilkMove**
- temperature limiter
- **GROHE StarLight** chrome finish
- **GROHE EcoJoy** 5.0 l/min. flow limiter
- **GROHE QuickFix** installation system
- spout with integrated mousseur
- pop-up waste set 1 1/4"
- flexible connection hoses



23029DC0 23029GL0 23029DA0 23029A00

Colour options:

- 000 | StarLight Chrome
- DC0 | SuperSteel
- DA0 | Warm Sunset
- A00 | Hard Graphite
- AL0 | Brushed Hard Graphite
- GL0 | Cool Sunrise
- GN0 | Brushed Cool Sunrise
- DL0 | Brushed Warm Sunset
- BE0 | Polished Nickel
- EN0 | Brushed Nickel

Note: [YouTube^{HK} \(Allure Brilliant | Product Video\) https://www.youtube.com/watch?v=85P78j7RRsg](https://www.youtube.com/watch?v=85P78j7RRsg)

[YouTube^{HK} \(Unboxing\) https://www.youtube.com/watch?v=GAT5W5R14os](https://www.youtube.com/watch?v=GAT5W5R14os)

* All information of the above is for the reference only. No prior notice is made if any changes.



Acme Sanitary Ware Co Ltd

Acme Building, 22-28 Nanking Street, Kowloon, Hong Kong
Tel: 2388 7171 Fax: 2710 8012
E-mail: acme@acmesanitaryware.com.hk
Website: www.acmesanitaryware.com.hk



Pure Freude
an Wasser

PROJECT		REF		REV	ITEM CODE	
LOCATION		DATE			PAGE	

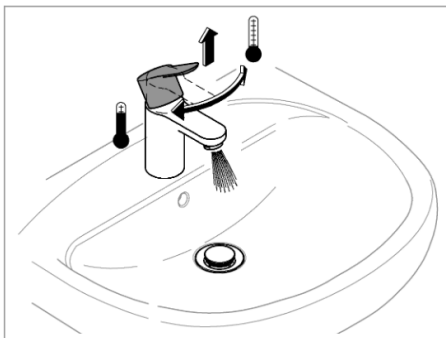
SANITARY WARE SPECIFICATION SHEET

GROHE ALLURE BRILLIANT

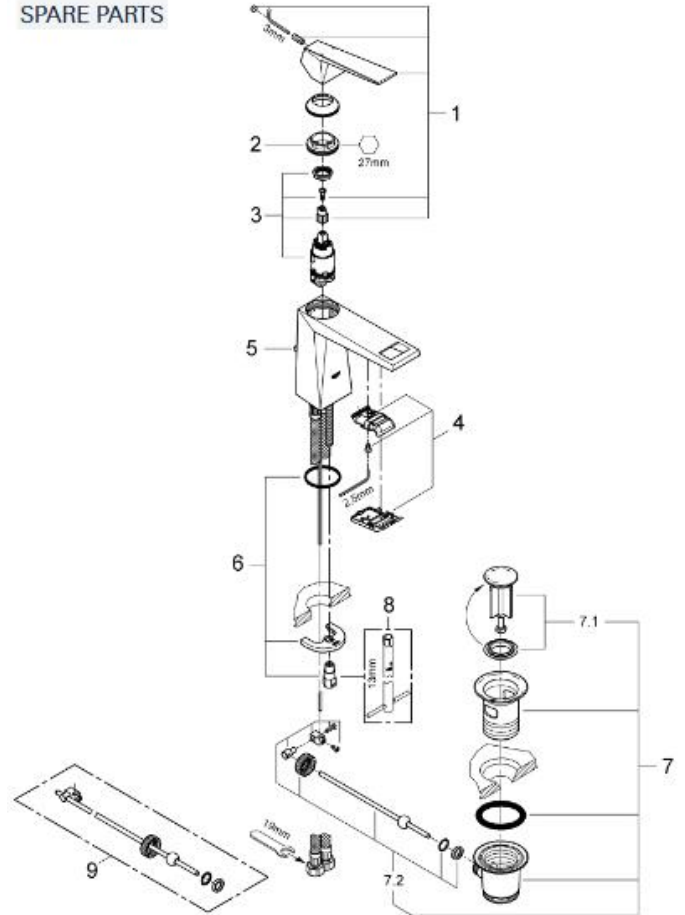
LIKE A DIAMOND

With its crisp planes, intriguing angles and cut-out details, Allure Brilliant illustrates the absolute precision that can only be achieved through years of experience and an unflinching passion for innovation. Complex without being complicated, faceted faucets add a new dimension to bathroom design and a new dimension to water. With its gem-like quality and structured shape, Allure Brilliant exudes architectural appeal.

Our designers and engineers have taken on the role of lapidaries, refining and polishing with utmost care to create a collection of intriguing designs, which will challenge your perception of bathroom fittings.



SPARE PARTS



Pos.-nr.	Prod. description	Order-nr.
1	Lever	46793000
2	Fitting ring	46715000
3	Cartridge	46580000
4	Race	46794000
5	Pop-up rod	46787000
6	Shank fastening assembly	46249000
7	Waste set 1 1/4"	28910000
7.1	Plug for waste set 1 1/4"	07182000
7.2	Eccentric rod	07052000
8	Mounting wrench	19017000*
9	Ball rod	07341000*

* Optional accessories

Note:

* All information of the above is for the reference only. No prior notice is made if any changes.



電子郵遞
e-mail wsdinfo@wsd.gov.hk

圖文傳真
Facsimile 2824 0578

檔 號
Reference (4) in WSD 3321/18 Pt.1 T/J(227)

18 April 2018

Approval of "GROHE" Basin Mixer

Your letters ref. WRC/1637 dated 21 February 2018 and ref. C-WSD/0350 dated 26 March 2018 refer.

Having considered the test report ref. J22392Ar1 issued on 20 March 2018 by Nutek Systems (HK) Ltd., this Authority accepts that the fitting described below complies with, and its use when correctly installed does not contravene, the Waterworks Ordinance and Regulations.

Name of Manufacturer: Grohe AG

Country of Origin: Germany

Brand: Grohe

Details of Fitting: 3/8" Single lever basin mixer supplied with one pair of stainless steel wire braided water inlet flexible hose (manufactured by Neoperl GmbH. Model: Neoflex SPX DN6 G3/8") approved by UK's WRAS under ref. 1506306

Model: 23029XXX
(where the digits "XXX" denote the code of colour)

Body Markings:



Expiry Date:

27 December 2022 (for mixer)

30 June 2020 (for hose)

This Authority hereby permits the use of the above fitting in fresh water plumbing systems subject to full adherence to Waterworks installation requirements. In particular, you are required to draw your customers' attention to the following requirement-

“The cold water supply to the fitting shall be drawn from the same source that supplies the hot water apparatus so as to provide a balanced pressure and to obviate the risk of scalding in the event of a restriction or failure in the water supply.”

A condition of this acceptance is that the fitting to be installed shall be replicas of the sample as certified by the testing agent mentioned above and without modifications. This acceptance may be withdrawn at any time if the standard of the fitting installed fails to meet that of the approved sample or if the fitting is found to be unsuitable for use in fresh water plumbing systems.

This acceptance is only applicable to the main body of the fitting, unless other specified.

For the use of the fitting in any project, the Acceptance Reference Number at the bottom of this letter must be quoted as a means of identification of acceptance of the fitting by this Authority.

Should you have any enquiries, please contact our Engineer Mr. Terry KUNG at tel. no. 3583 4086.

Yours faithfully,

A handwritten signature in black ink, appearing to read "Chan Chung Kun", written in a cursive style.

(CHAN Chung Kun)
for Water Authority

c.c. WSD 3321/1/82] - without catalogue
 ME/MC] - with soft copy only